



INSTALLATION INSTRUCTIONS

CARBAHN.COM/INSTRUCTIONS

AUDI RS5 B9/B9.5 Strut Brace Set Black

CARBAHN PART #:

CBA12-00-9380



US Based Support

866-558-4314

Sales@CarBahn.com

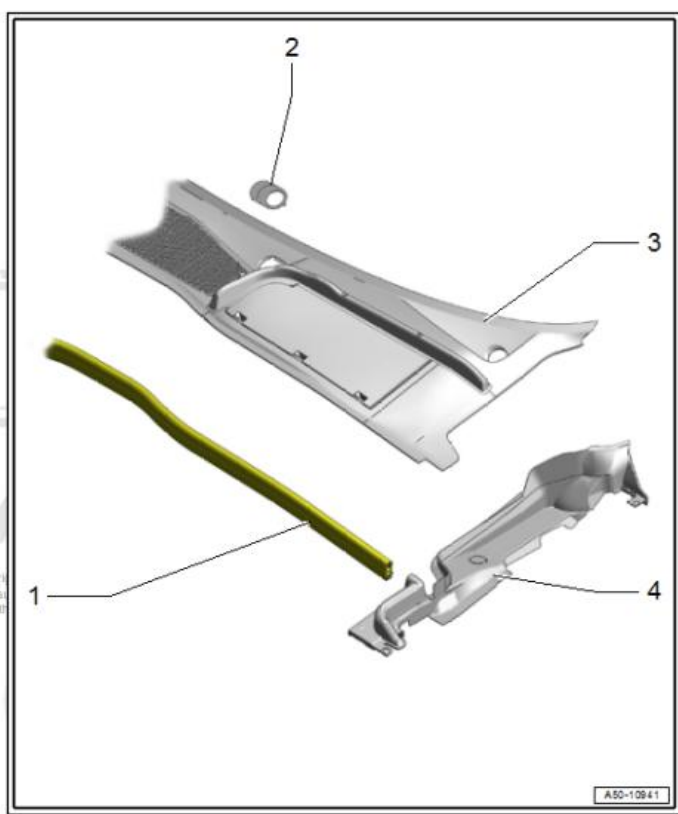
CarBahn.com

Follow Us: [@CarBahnOfficial](https://www.instagram.com/CarBahnOfficial)

These instructions assume that the person installing these parts is a *BRAND CERTIFIED MECHANIC* and are *NOT* step by step instructions on how to disassemble and reassemble the car.

1. Remove Seal (#1) from the Plenum Chamber Cover (Cowl).

- 1 - Seal**
- 2 - Clip**
 - For the windshield wiper axle
- 3 - Plenum Chamber Cover**
 - Removing and Installing. Refer to ["3.4 Plenum Chamber Cover, Removing and Installing", page 42](#).
- 4 - Side Cover for Plenum Chamber Cover**
 - Replace after removing
 - Removing and Installing. Refer to ["3.5 Plenum Chamber Side Cover, Removing and Installing", page 43](#).

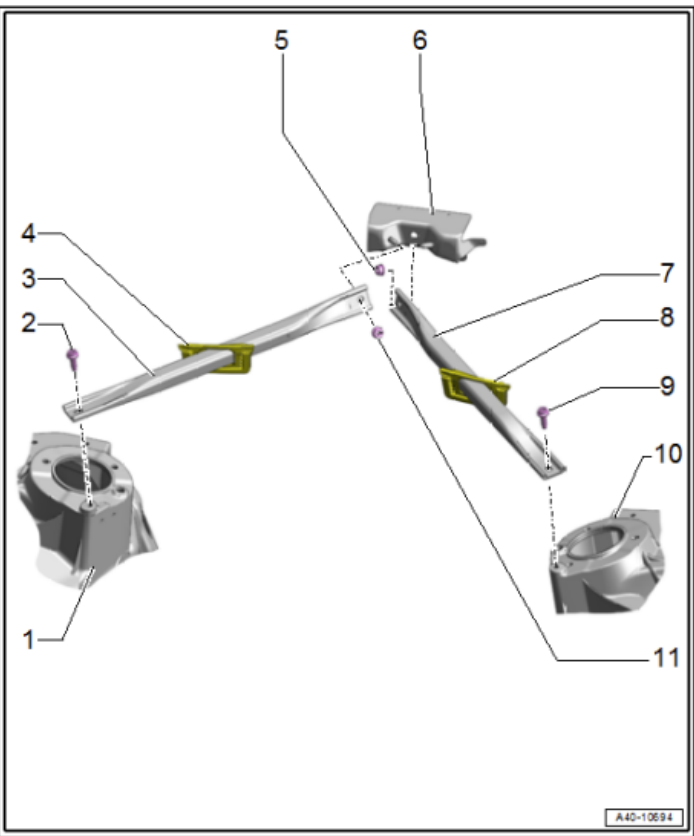


Protected by copyright permitted unless a with respect to th

A50-10841

2. Remove bolts 2, 11, 5 and 9.

- 1 - Right Suspension Strut Tower**
- 2 - Bolt**
 - 20 Nm
- 3 - Right Tower Brace**
 - A5 Cabriolet: one piece with the left tower brace
 - Removing and Installing. Refer to ["4.7 Tower Brace, Removing and Installing", page 68](#).
- 4 - Sealing Piece**
- 5 - Nut**
 - 20 Nm
- 6 - Bulkhead**
- 7 - Left Tower Brace**
 - A5 Cabriolet: one piece with the right tower brace
 - Removing and Installing. Refer to ["4.7 Tower Brace, Removing and Installing", page 68](#).
- 8 - Sealing Piece**
- 9 - Bolt**
 - 20 Nm
- 10 - Left Suspension Strut Tower**
- 11 - Nut**
 - 20 Nm



Protecte permi with

A40-10694

These instructions assume that the person installing these parts is a *BRAND CERTIFIED MECHANIC* and are *NOT step by step instructions on how to disassemble and reassemble the car.*

3. Remove the OEM braces and brace grommet. Place the brace grommets on the appropriate CarBahn brace. Install the braces in the factory location making sure the grommet seals with the cowl. Tighten bolts 2, 11, 5 and 9 per the image in step 2.
4. Replace the seal on the plenum chamber cover.